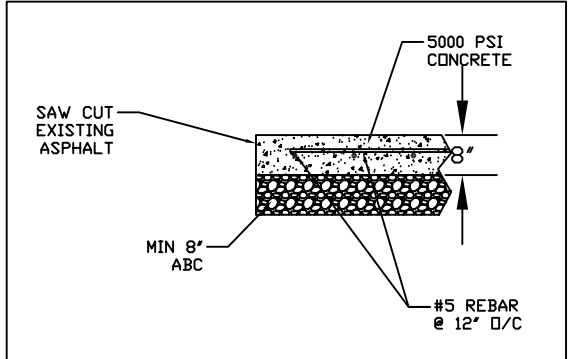
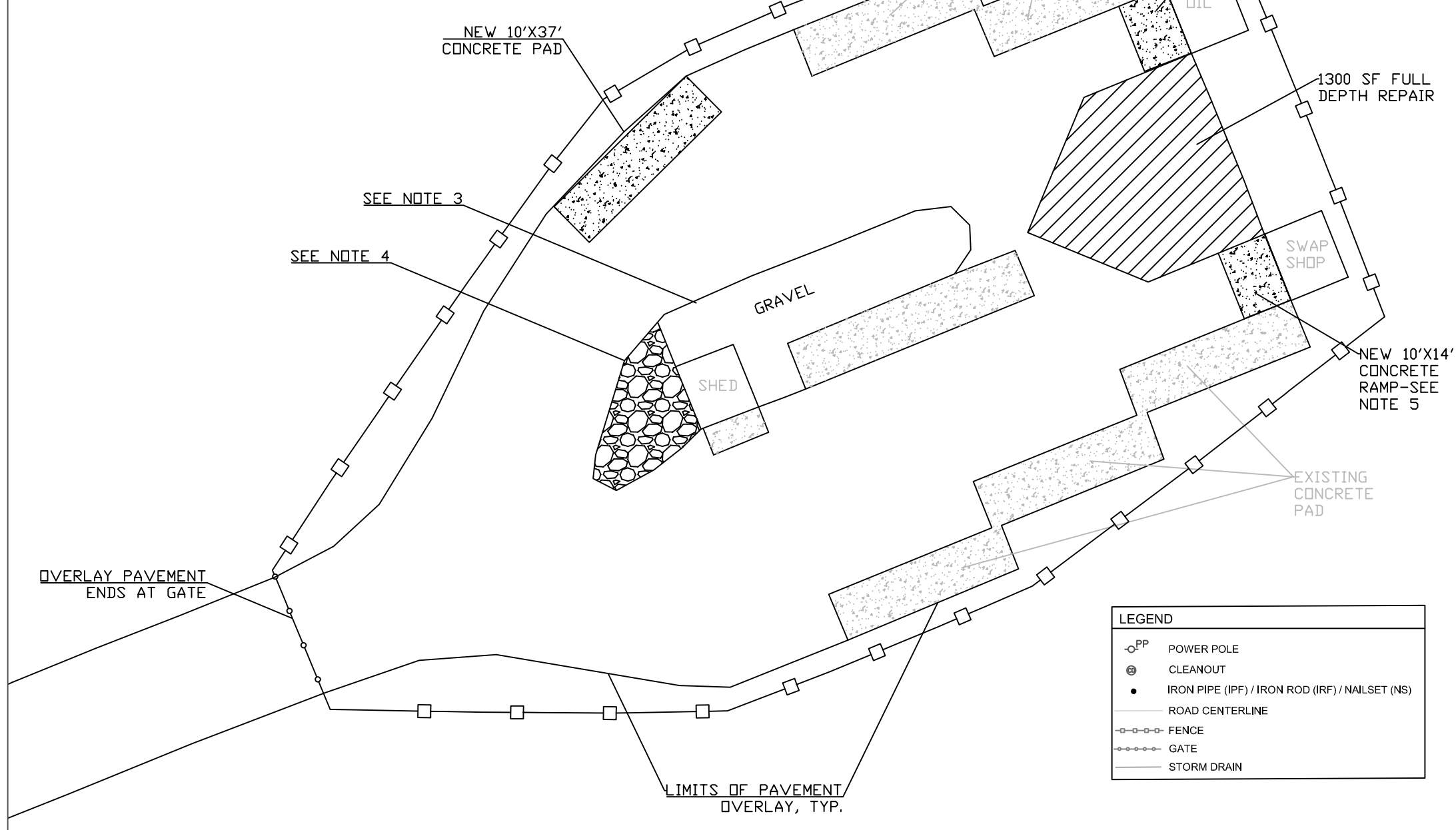


NEW AND FULL DEPTH REPAIR PAVEMENT SECTION
NTS



NEW CONCRETE PAD SECTION
NTS



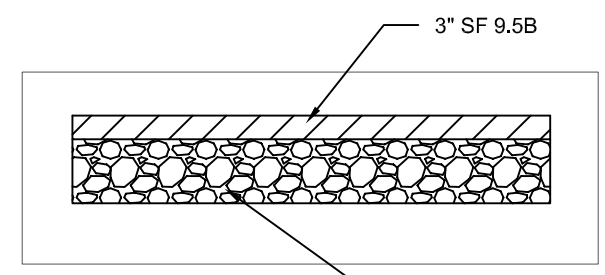
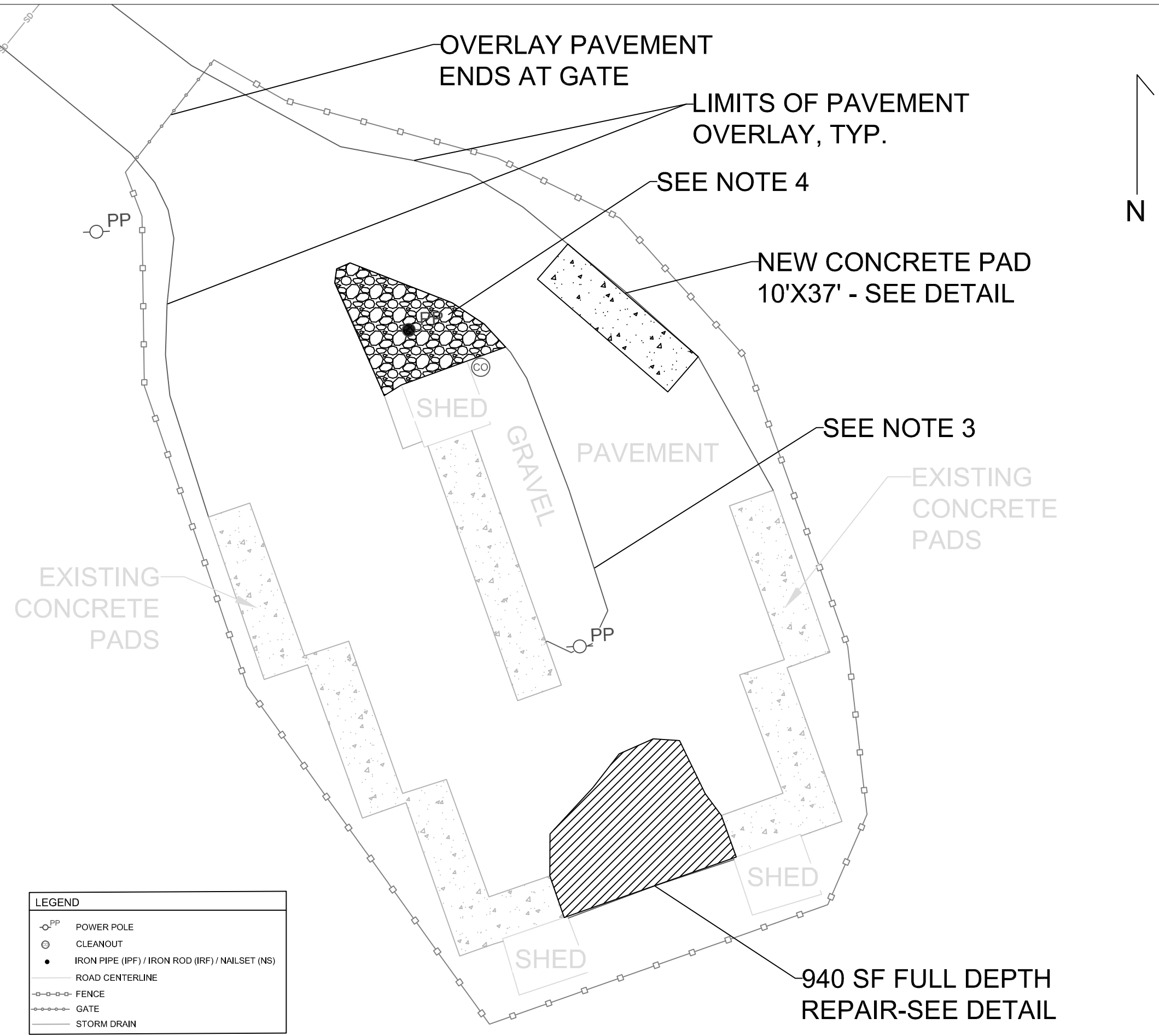
- NOTES:
1. FINISHED ELEVATIONS SHALL PROVIDE POSITIVE DRAINAGE TO OUTSIDE EDGE OF PAVEMENT.
 2. NEW CONCRETE PAD SHALL BE POURED TO MATCH OVERLAY GRADE AND SHALL NOT INTERFERE WITH SITE DRAINAGE OR POND WATER.
 3. IN THE CENTER ISLAND, INSTALL 4" #57 STONE OVER FILTER FABRIC. REMOVE EXISTING MATERIAL AS NECESSARY TO MAKE FINISHED GRADE MATCH GRADE OF NEW OVERLAY. INSTALL METAL EDGING BETWEEN GRAVEL AREA AND PAVEMENT.
 4. IN HATCHED AREA OF THE ISLAND, REPLACE EXISTING MATERIAL WITH 4" MARBLE STONE OVER GEOTEXTILE WITH METAL EDGING. FINISH GRADE SHALL MATCH FINAL OVERLAY GRADE. GEOTEXTILE SHALL BE MIRAFI 140N OR EQUIVALENT. INSTALL 8 BLUE JUNIPERS IN GALLON CONTAINER AROUND THE PERIMETER.
 5. CONCRETE RAMPS AT SHEDS MUST BE ADA COMPLIANT AND WILL REQUIRE A BUILDING PERMIT. CONCRETE SHALL BE REINFORCED AND A MINIMUM OF 4" THICK AND 4000 PSI.
 6. ALL DISTURBED GRASSY AREAS WILL BE SEEDED AND STRAWED WITH AN APPROPRIATE SEED MIX FOR THE SEASON.

LEGEND	
○-PP	POWER POLE
⊕	CLEANOUT
●	IRON PIPE (IPF) / IRON ROD (IRF) / NAILSET (NS)
—	ROAD CENTERLINE
□-□-□-□	FENCE
○-○-○-○	GATE
—	STORM DRAIN

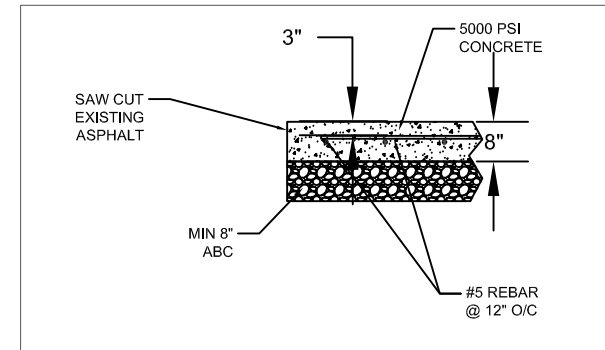
GOLDSTON COLLECTION CENTER
7285 PITTSBORO-GOLDSTON RD
BEAR CREEK, NC

CHATHAM COUNTY SOLID WASTE & RECYCLING
DIVISION
28 COUNTY SERVICES RD
PITTSBORO, NC 27312

DATE: 3/4/2019 DRAWN BY: RKL



NEW AND FULL DEPTH REPAIR PAVEMENT SECTION
NTS



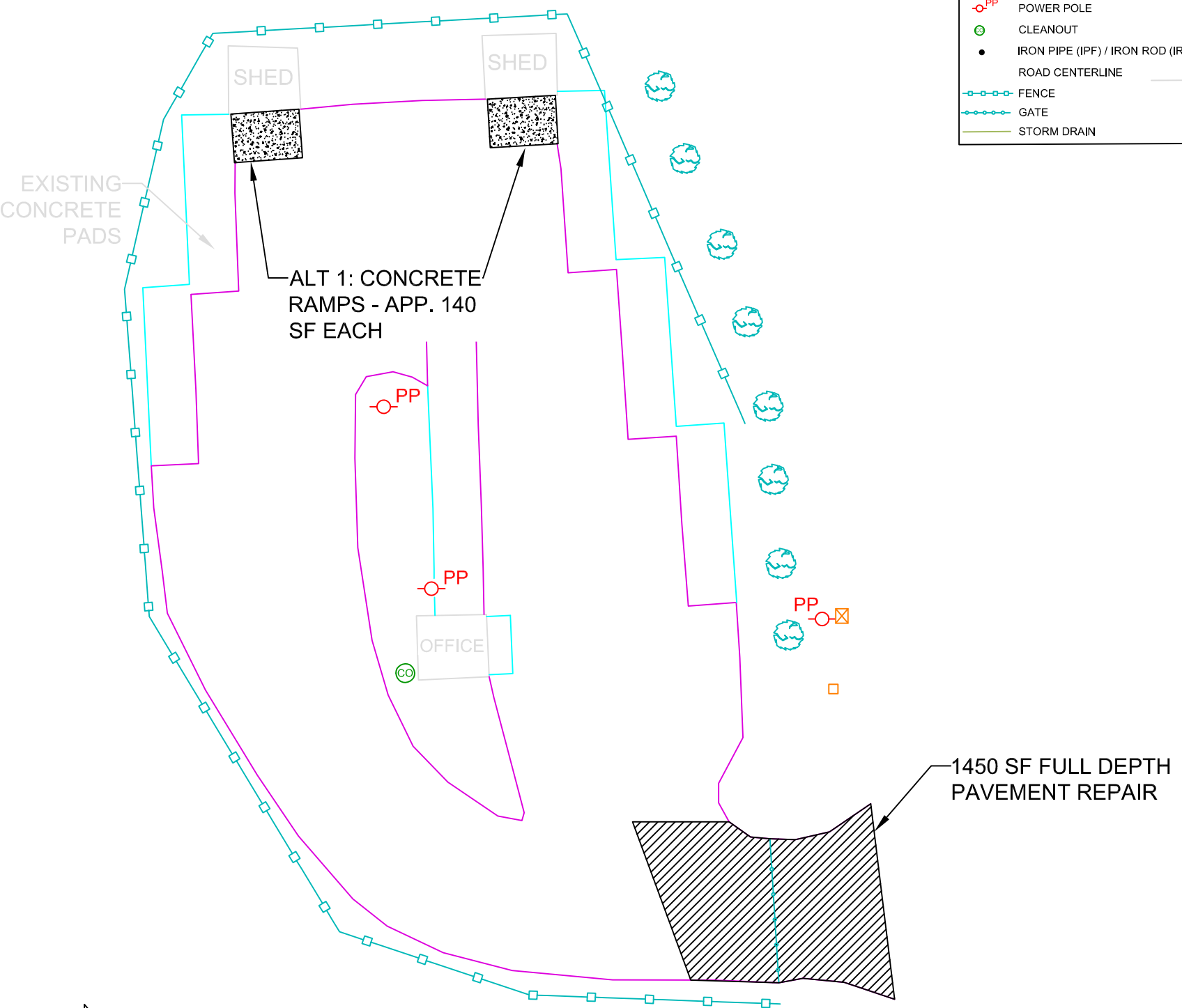
NEW CONCRETE PAD SECTION
NTS

- NOTES:
1. FINISHED ELEVATIONS SHALL PROVIDE POSITIVE DRAINAGE TO OUTSIDE EDGE OF PAVEMENT.
 2. NEW CONCRETE PAD SHALL BE POURED TO MATCH OVERLAY GRADE AND SHALL NOT INTERFERE WITH SITE DRAINAGE OR POND WATER.
 3. IN THE CENTER ISLAND, INSTALL 4" #57 STONE OVER FILTER FABRIC. REMOVE EXISTING MATERIAL AS NECESSARY TO MAKE FINISHED GRADE MATCH GRADE OF NEW OVERLAY. INSTALL METAL EDGING BETWEEN GRAVEL AREA AND PAVEMENT.
 4. IN HATCHED AREA OF THE ISLAND, REPLACE EXISTING MATERIAL WITH 4" MARBLE STONE OVER GEOTEXTILE WITH METAL EDGING. GEOTEXTILE SHALL BE MIRAFI 140N OR EQUIVALENT. INSTALL 8 BLUE JUNIPERS IN GALLON CONTAINERS AROUND THE PERIMETER. FINISH GRADE SHALL MATCH FINAL OVERLAY GRADE.
 5. ALL DISTURBED GRASSY AREAS WILL BE SEEDED AND STRAWED WITH AN APPROPRIATE SEED MIX FOR THE SEASON.

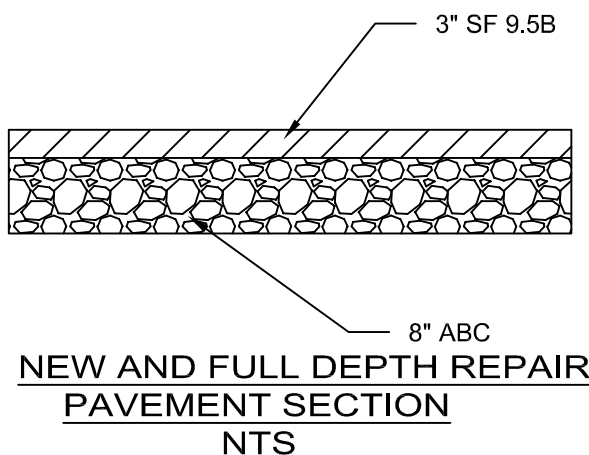
HARPERS CROSSROADS COLLECTION CENTER
19921 NC HWY 902
BEAR CREEK, NC

CHATHAM COUNTY SOLID WASTE & RECYCLING DIVISION
28 COUNTY SERVICES RD.
PITTSBORO, NC 27312

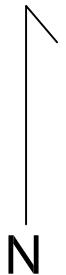
DATE: 3/1/2019 DRAWN BY: RKL



LEGEND	
⊙-PP	POWER POLE
⊙	CLEANOUT
●	IRON PIPE (IPF) / IRON ROD (IRF) / NAILSET (NS)
—	ROAD CENTERLINE
⊙-⊙	FENCE
⊙-⊙	GATE
—	STORM DRAIN



- NOTES:
1. FINISHED ELEVATIONS SHALL PROVIDE POSITIVE DRAINAGE TO OUTSIDE EDGE OF PAVEMENT.
 2. ALL DISTURBED GRASSY AREAS WILL BE SEEDED AND STRAWED WITH AN APPROPRIATE SEED MIX FOR THE SEASON.
 3. CONCRETE RAMPS AT SHEDS MUST BE ADA COMPLIANT AND WILL REQUIRE A BUILDING PERMIT. CONCRETE SHALL BE REINFORCED AND A MINIMUM OF 4" THICK AND 4000 PSI.
 4. ALL DISTURBED GRASSY AREAS SHALL BE SEEDED AND STRAWED WITH AN APPROPRIATE SEED MIX FOR THE SEASON.



BENNETT COLLECTION CENTER
 3142 BENNETT-SILER CITY RD
 BENNETT, NC

CHATHAM COUNTY SOLID WASTE & RECYCLING
 DIVISION
 28 COUNTY SERVICES RD.
 PITTSBORO, NC 27312

DATE: 3/1/2019 DRAWN BY: RKL